



Where **high performance**  
is the **standard**®



ISO 9001:2015 Certified

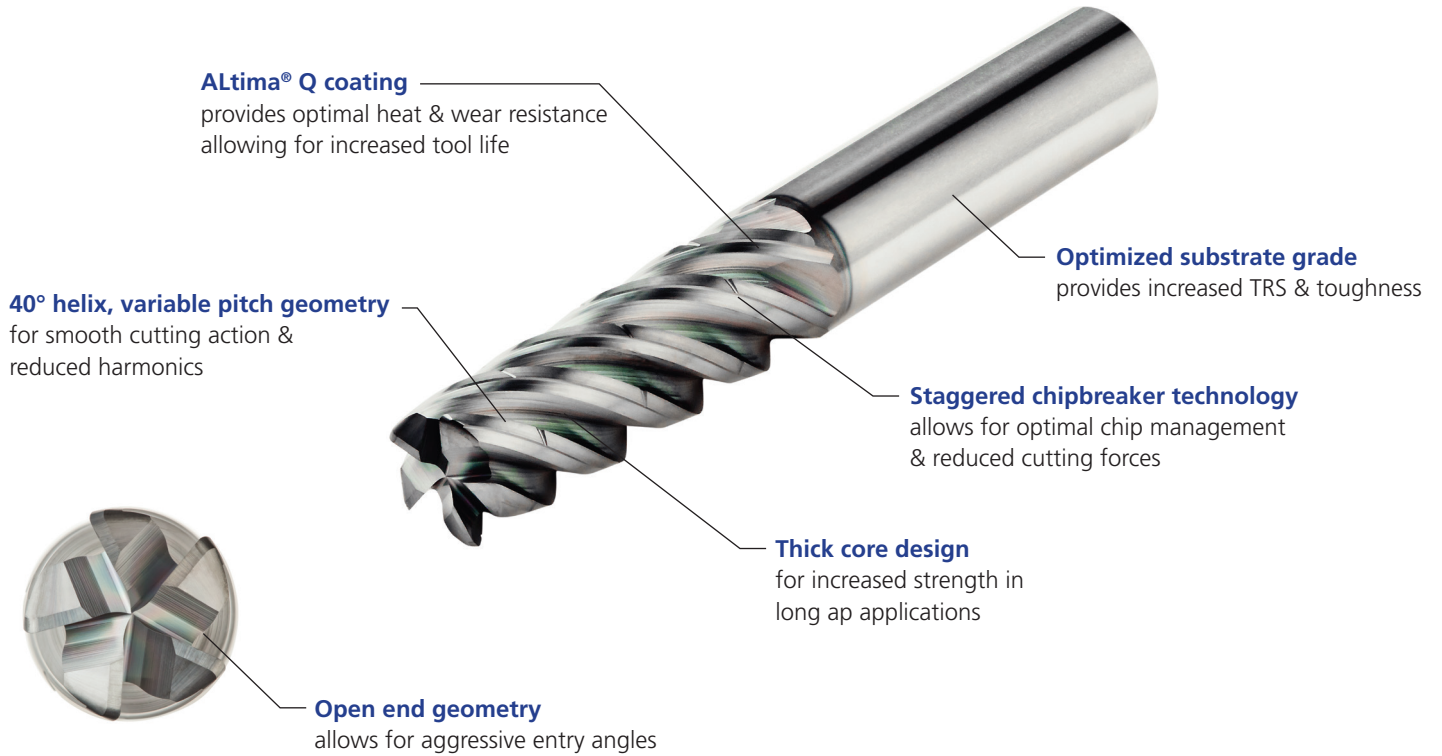
## TuffCut® XV Series XV5CB

For deep, dynamic milling applications

[www.maford.com](http://www.maford.com)

# TuffCut® XV Series XV5CB

For deep, dynamic milling applications

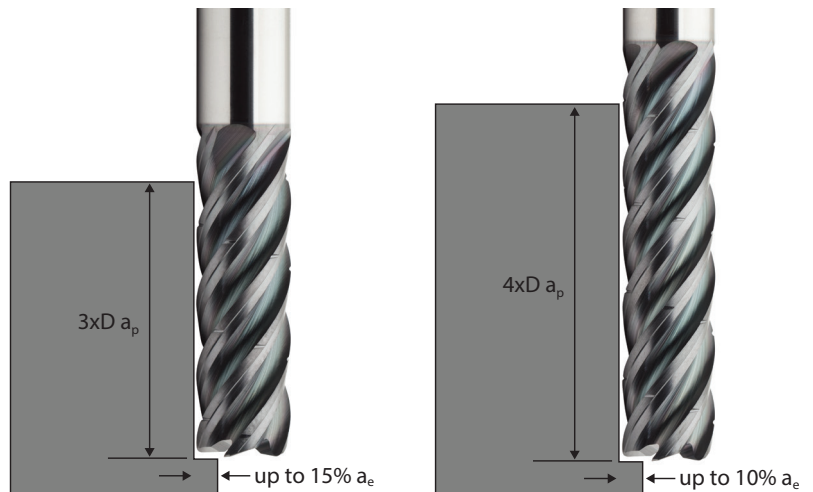


## Suitable materials

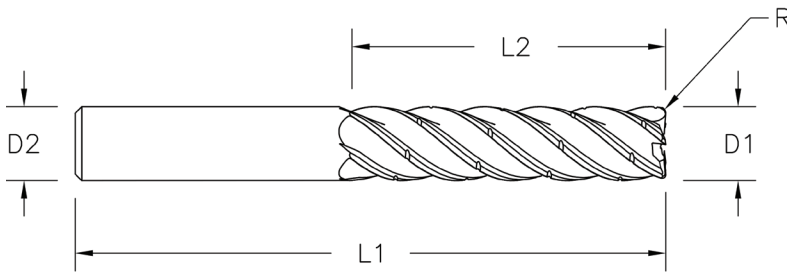
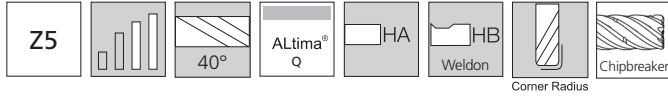


## Applications

The XV5CB was developed for optimal metal removal rates in long axial engagement, dynamic milling strategies in both ISO P and ISO M material groups. Offered in both 3xD and 4xD length of cut options, the XV5CB increases productivity by utilizing its aggressive stepover capabilities while maintaining a stable and reliable process.




# TuffCut® XV Series XV5CB



ALtima® Q		ALtima® Q Weldon Flat		Diameter		Shank	OAL	Flute Length	Corner Radius
Tool No.	EDP	Tool No.	EDP	D1		D2 (h6)	L1	L2	R
				Inch	Decimal	Inch	Inch	Inch	Inch
XV5CB37534AQ	08090	XV5CB37534AQW	08091	3/8	.3750	3/8	3	1-1/4	.030
XV5CB37544AQ	08094	XV5CB37544AQW	08095	3/8	.3750	3/8	3-1/2	1-5/8	.030
XV5CB50034AQ	08106	XV5CB50034AQW	08107	1/2	.5000	1/2	3-1/2	1-5/8	.030
XV5CB50044AQ	08112	XV5CB50044AQW	08113	1/2	.5000	1/2	4	2-1/8	.030
XV5CB62534AQ	08116	XV5CB62534AQW	08117	5/8	.6250	5/8	4	2-1/8	.030
XV5CB62544AQ	08120	XV5CB62544AQW	08121	5/8	.6250	5/8	5	2-5/8	.030
XV5CB75034AQ	08130	XV5CB75034AQW	08131	3/4	.7500	3/4	5	2-1/2	.030
XV5CB75044AQ	08134	XV5CB75044AQW	08135	3/4	.7500	3/4	6	3-1/8	.030

M.A. Ford follows the ANSI B94.19-1985 specifications when adding a Weldon flat to any inch size end mill. All request for locations not matching these specifications must be sent to [customquotes@maford.com](mailto:customquotes@maford.com)

## XV5CB Series Recommended Cutting Data - Profile Milling at 3xD ADOC (ap) - Inch

Workpiece Material Group	ISO	Hardness	● Preferred ○ Possible x Not Possible			RWOC (ae) 			End Mill Diameter (inch)			
			Emulsion	Compressed air	MMS	5%	10%	15%	3/8	1/2	5/8	3/4
						2.3	1.67	1.4	Multiply fz by this Factor based on ae. When finishing, use the standard fz per chart below. Only add chip thinning when roughing or semi-finishing.			
						Vc - SFM						
<b>Low Carbon Steels</b> 12L14, 1018, A36	P	≤ 28 HRC	○	●	○	1150	985	820	.0023	.0030	.0038	.0045
<b>Medium Carbon Steels</b> 1045, 1050, 1070		≤ 38 HRC	○	●	○	850	785	720	.0023	.0030	.0038	.0045
<b>Alloy Steels</b> 4130, 4140, 4340			○	●	○	785	720	655	.0023	.0030	.0038	.0045
<b>Die / Tool Steels</b> A2, D2, H13, P20		≤ 45 HRC	○	●	○	720	655	590	.0023	.0030	.0038	.0045
<b>Stainless Steels - Free Machining</b> 303, 400 Series	M	≤ 28 HRC	●	●	○	675	590	500	.0023	.0030	.0038	.0045
<b>Stainless Steels - Austenitic</b> 304, 316			●	x	○	525	460	330	.0018	.0024	.0030	.0036
<b>Stainless Steels - Difficult to Machine</b> 13-8PH, Nitronics		≤ 45 HRC	●	x	○	360	295	230	.0015	.0020	.0025	.0030
<b>Stainless Steels - Precipitation Hardened</b> 15-5 PH, 17-4 PH, 17-7 PH			●	●	○	525	460	330	.0018	.0024	.0030	.0036
<b>Titanium Alloys</b> 6Al-4V	S	≤ 42 HRC	●	x	x	400	330	265	.0015	.0020	.0025	.0030

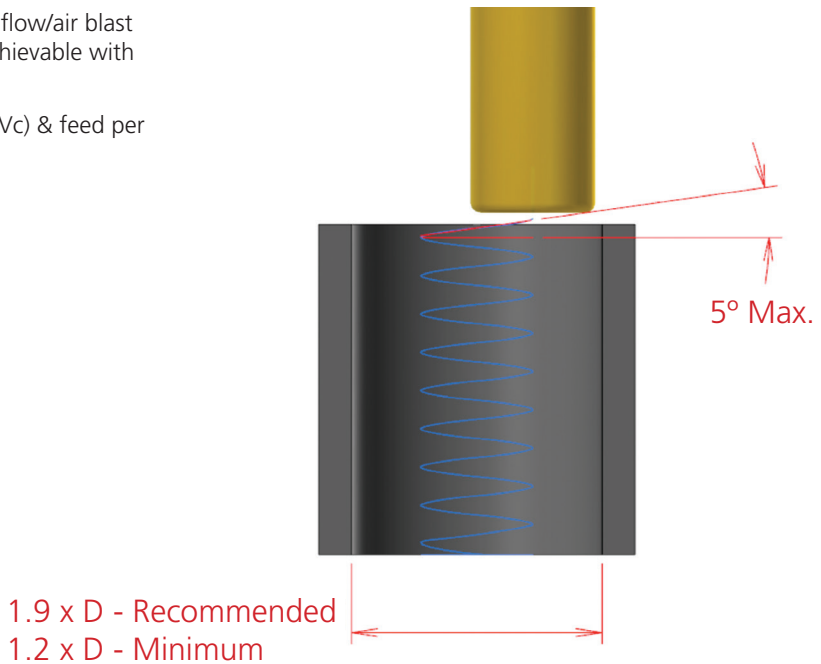
### Notes

- Cutting data provided should be considered advisory only. Adjustments may be necessary depending on the application, workpiece rigidity, machine tool, etc.
- The XV5CB should only be used in accurate tool holders with high gripping power. ER collet type holders are not recommended.
- For optimal performance in ISO S materials,  $ae = \leq 0.1 \times D$

## XV5CB Series Recommended Cutting Data - Profile Milling at 3xD ADOC (ap) - Inch

### Helical interpolation recommendations


- Under optimal conditions, with proper coolant flow/air blast techniques, up to 5° helical ramp angles are achievable with the XV5CB in most materials
- A reduction of 30-50% in both cutting speed (Vc) & feed per tooth (fz) are recommended
- Recommended hole diameter = 1.9 x D
- Minimum hole diameter = 1.2 x D



RWOC (ae)	Chip Thickness Compensation Factor
5%	2.30
7%	1.96
8%	1.84
10%	1.67
13%	1.49
15%	1.40

During profile milling with a radial width of less than 50% of the cutter diameter, the actual chip thickness at the cutting edge is less than the programmed chipload. The accompanying table shows the increase in chipload by given radial width percentage to adjust for chip thinning. Multiply your recommended chip thickness by the appropriate feed factor to establish the correct feed rate.

## XV5CB Series Recommended Cutting Data - Profile Milling at 4xD ADOC (ap) - Inch

Workpiece Material Group	ISO	Hardness	● Preferred ○ Possible x Not Possible			RWOC (ae)		End Mill Diameter (inch)			
			Emulsion	Compressed air	MMS			3/8	1/2	5/8	3/4
						5%	10%	Multiply fz by this Factor based on ae. When finishing, use the standard fz per chart below. Only add chip thinning when roughing or semi-finishing.			
						2.3	1.67				
						Vc - SFM	fz - in/tooth				
<b>Low Carbon Steels</b> 12L14, 1018, A36	P	≤ 28 HRC	○	●	○	985	820	.0015	.0020	.0025	.0030
		≤ 38 HRC	○	●	○	785	720	.0015	.0020	.0025	.0030
			○	●	○	720	655	.0015	.0020	.0025	.0030
			○	●	○	655	590	.0015	.0020	.0025	.0030
<b>Die / Tool Steels</b> A2, D2, H13, P20		≤ 45 HRC	○	●	○	655	590	.0015	.0020	.0025	.0030
<b>Stainless Steels - Free Machining</b> 303, 400 Series	M	≤ 28 HRC	●	●	○	590	500	.0015	.0020	.0025	.0030
●			x	○	525	460	.0011	.0014	.0018	.0021	
<b>Stainless Steels - Austenitic</b> 304, 316		≤ 45 HRC	●	x	○	295	230	.0009	.0012	.0015	.0018
<b>Stainless Steels - Difficult to Machine</b> 13-8PH, Nitronics			●	●	○	525	460	.0011	.0014	.0018	.0021
<b>Stainless Steels - Precipitation Hardened</b> 15-5 PH, 17-4 PH, 17-7 PH			●	●	○	525	460	.0011	.0014	.0018	.0021
<b>Titanium Alloys</b> 6Al-4V	S	≤ 42 HRC	●	x	x	330	265	.0009	.0012	.0015	.0018

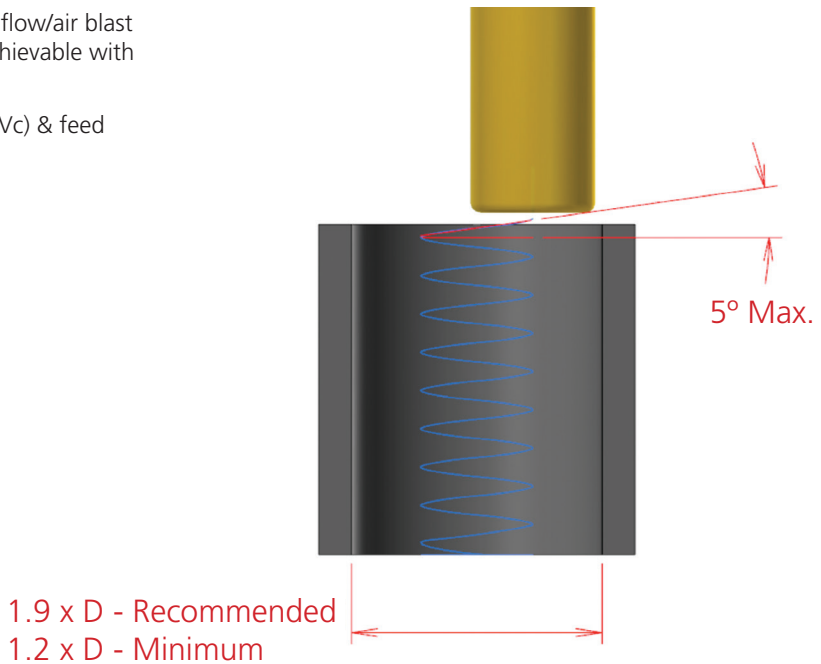
### Notes

- Cutting data provided should be considered advisory only. Adjustments may be necessary depending on the application, workpiece rigidity, machine tool, etc.
- The XV5CB should only be used in accurate tool holders with high gripping power. ER collet type holders are not recommended.
- For optimal performance in ISO S materials,  $ae = \leq 0.07 \times D$

## XV5CB Series Recommended Cutting Data - Profile Milling at 4xD ADOC (ap) - Inch

### Helical interpolation recommendations

- Under optimal conditions, with proper coolant flow/air blast techniques, up to 5° helical ramp angles are achievable with the XV5CB in most materials
- A reduction of 30-50% in both cutting speed (Vc) & feed per tooth (fz) are recommended
- Recommended hole diameter = 1.9 x D
- Minimum hole diameter = 1.2 x D



RWOC (ae)	Chip Thickness Compensation Factor
5%	2.30
7%	1.96
8%	1.84
10%	1.67

During profile milling with a radial width of less than 50% of the cutter diameter, the actual chip thickness at the cutting edge is less than the programmed chipload. The accompanying table shows the increase in chipload by given radial width percentage to adjust for chip thinning. Multiply your recommended chip thickness by the appropriate feed factor to establish the correct feed rate.



Where **high performance** is the **standard**®

Also available:



**Safety Note**

Always wear the appropriate personal protective equipment such as safety glasses and protective clothing when using solid carbide or HSS cutting tools. Machines should be fully guarded.

**! WARNING:** This product can expose you to chemicals including nickel, cobalt, and lead, which are known to the State of California to cause cancer, and chemicals including lead which are known to the State of California to cause birth defects or other reproductive harm. For more information go to [www.P65Warnings.ca.gov](http://www.P65Warnings.ca.gov).

**M.A.Ford® Mfg. Co., Inc.**

7737 Northwest Blvd.  
Davenport, IA 52806  
USA

Tel: 563-391-6220 or 800-553-8024  
e-mail: [sales@maford.com](mailto:sales@maford.com)  
[www.maford.com](http://www.maford.com)

**M.A.Ford® Europe Ltd.**

650 City Gate  
London Road, Derby  
DE24 8WY  
United Kingdom

Tel: +44 (0) 1332 267960  
Fax: +44 (0) 1332 267969  
e-mail: [sales@mafordeurope.com](mailto:sales@mafordeurope.com)  
[www.mafordeurope.com](http://www.mafordeurope.com)

**M.A.Ford® Asia-Pacific Limited**

Room 1709, Level 17  
Millennium City 2  
378 Kwun Tong Road  
Kowloon, Hong Kong

Tel: +852-2167-7150  
Fax: +852-2167-8150  
e-mail: [sales@mafordeurope.com](mailto:sales@mafordeurope.com)